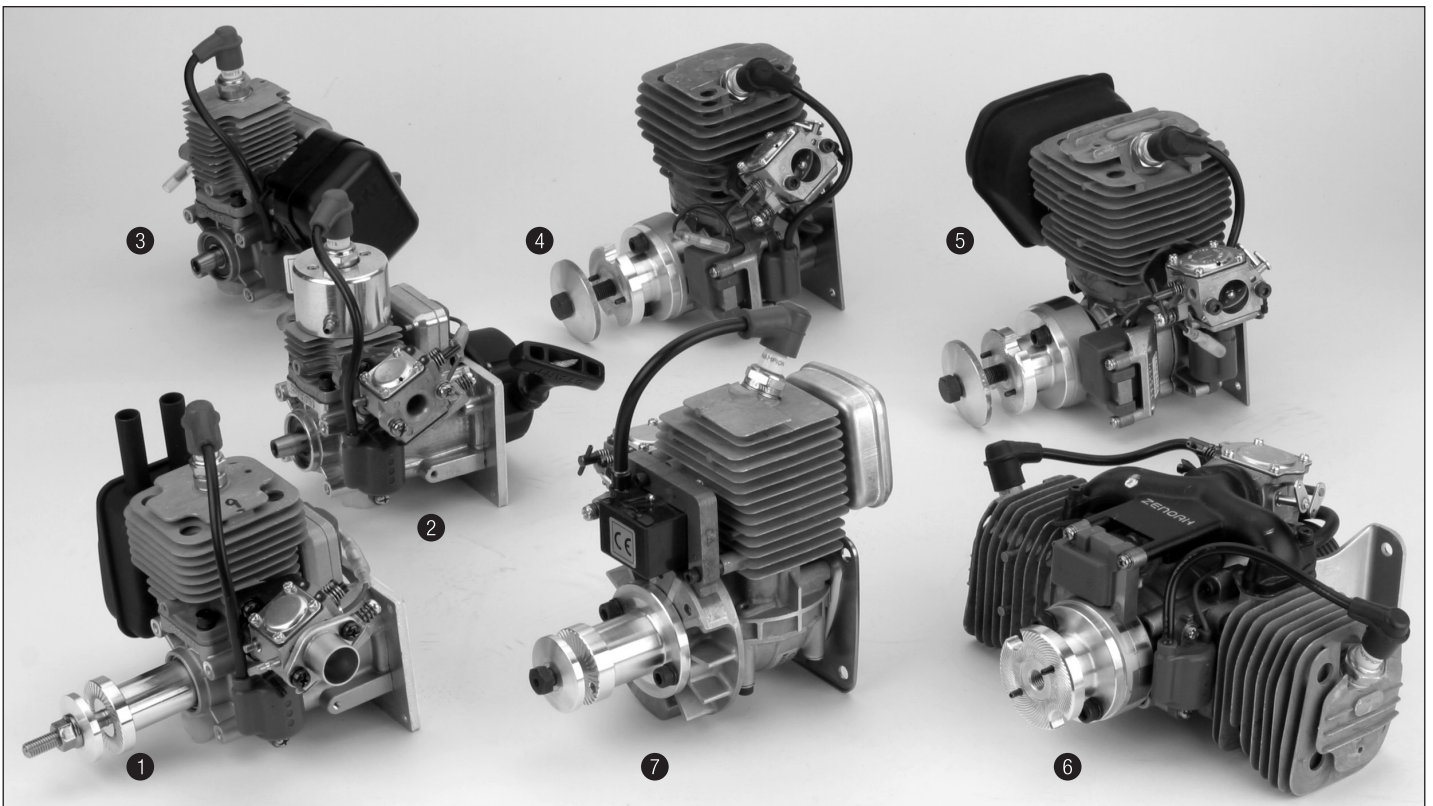


ZENOAH®

ENGINE INSTRUCTION MANUAL



- ❶ **G26 Air**
- ❷ **G26/G231 Marine**
- ❸ **G26/G231 Heli**
- ❹ **G38**
- ❺ **G62**
- ❻ **GT80 Twin**
- ❼ **G45**

NOTICE

All instructions, warranties and other collateral documents are subject to change at the sole discretion of Horizon Hobby, LLC. For up-to-date product literature, visit horizonhobby.com and click on the support tab for this product.


Meaning of Special Language

The following terms are used throughout the product literature to indicate various levels of potential harm when operating this product:

WARNING: Procedures, which if not properly followed, create the probability of property damage, collateral damage, and serious injury OR create a high probability of superficial injury.

CAUTION: Procedures, which if not properly followed, create the probability of physical property damage AND a possibility of serious injury.


NOTICE: Procedures, which if not properly followed, create a possibility of physical property damage AND a little or no possibility of injury.

 **WARNING:** Read the ENTIRE instruction manual to become familiar with the features of the product before operating. Failure to operate the product correctly can result in damage to the product, personal property and cause serious injury.

This is a sophisticated hobby product. It must be operated with caution and common sense and requires some basic mechanical ability. Failure to operate this Product in a safe and responsible manner could result in injury or damage to the product or other property. This product is not intended for use by children without direct adult supervision. Do not use with incompatible components or alter this product in any way outside of the instructions provided by Horizon Hobby, LLC. This manual contains instructions for safety, operation and maintenance. It is essential to read and follow all the instructions and warnings in the manual, prior to assembly, setup or use, in order to operate correctly and avoid damage or serious injury.

Age Recommendation: Not for children under 14 years. This is not a toy.

Safety Warnings

 **WARNING:** Model engines produce a substantial amount of power and can create unsafe situations if not used correctly. Always use common sense and observe all safety precautions when operating, handling or performing any procedure involving your engine. Failure to follow safety precautions could result in serious injury and property damage.

- Always ensure spectators, especially children, are at least 30 feet away when running the engine
- Always ensure that the propeller is securely attached to the engine shaft and all retaining fasteners are tightened properly before EACH flight. Use of blue threadlock to tighten nuts is advisable.
- Always keep small parts out of the reach of children, as they can be choking hazards
- Always secure the airplane before powering the engine.
- Always keep your face and body away from the path of the propeller blades when starting or running your engine.
- Always stand behind the propeller when making carburetor adjustments.
- Always wear safety glasses or goggles when starting and running your engine.
- Always keep your fuel in a safe place well away from sparks, heat or anything that can ignite.
- Always ensure the aircraft is secure and will not move once the engine is started.
- Always rebind your transmitter to your receiver(s) after setup and before first flight.
- Always ensure the throttle failsafe is set to low throttle in your transmitter.
- Always perform a range check prior to flight.
- Always cut off the fuel supply (pinch or disconnect the fuel line to the carburetor) or use the throttle linkage to shut off the air in order to stop the engine.
- Never use hands, fingers, or any other body part to stop the propeller.
- Never throw any object into a propeller to stop it.
- Never run the engine in the vicinity of loose small objects, such as gravel or sand, to avoid the propeller uncontrollably throwing such materials.
- Never wear loose clothing or a loose neckstrap when operating your model engine as these items could become entangled in the propeller.

Introduction

Congratulations on purchasing a Zenoah™ engine. Cared for properly, these high-quality, finely crafted engines will offer many years of reliability.

This instruction manual has been developed to ensure optimum performance from the Zenoah engine you have purchased. It's important that the instructions are read thoroughly prior to mounting and running the engine.

Support Equipment

The following items are not included with your Zenoah engine but are necessary for operation.

Fuel—Mix gasoline and 2-stroke gas compatible oil at a mixing ratio of 25–40:1.

NOTICE: Always use a gasoline-resistant fuel tubing (do not use any silicone rubber tube). Never use any alcohol fuel or alcohol-added fuel, as this will damage the rubber part of the carburetor.

Propeller—Refer to the Propeller Selection Chart located on Page 8 to determine the best initial propeller for your particular application.

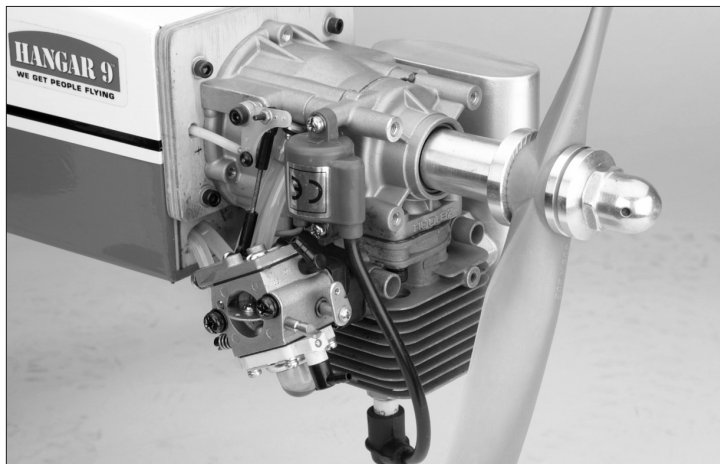
Manual or Electric Starter—For manual starts, a chicken stick is highly recommended. Never use your fingers to start any model engine as you could be injured. If you must hand-start a gasoline engine, be sure to protect your hand with a heavily padded glove. There are a variety of heavy-duty electric starters on the market that can be used.



Evolution® Oil (EVOX1001Q)

Mounting the Engine

Make sure the engine is mounted on the aircraft using aircraft-grade plywood that's at least 6mm in thickness for the G26 engine, and 10mm in thickness for the G38 through GT80 twin, or a mount of equivalent strength. Make sure it's firmly mounted with 4 bolts.



1. Be sure to set flat washers or a metal plate on the reverse side of the mount to prevent the bolts from sinking into the mount. Periodically check the engine mount for loose bolts.
2. Since the engine is equipped with a floatless carburetor with a diaphragm pump, the direction of the cylinder and position of the fuel tank can be freely selected.
3. If the engine is mounted on a shock (rubber) mount placed between the engine and the firewall for anti-vibration, check the hardness of the rubber, making sure it's not too soft, in order to avoid excessive vibration during engine operating rpms. If the engine is vibrating at idle, check the overflow at the carburetor. Excessive vibration can result in erratic engine operation.
4. Coat the muffler bolts with threadlock when mounting the muffler to the engine.

Operation

Break-In

No specific break-in is required. The engine is gradually broken in as it is used, and the output power increases gradually as the engine breaks in.

Starting the Engine—Aircraft

Before attempting to start the engine, read through all the steps for starting the engine as outlined below:

Zenoah engines are equipped with the ultra compact C.D.I. type flywheel magneto ignition system and should be started according to the following procedure.

IMPORTANT: The magneto system is timed in such a way that when the compression stroke starts (refer to Figure 1-A) sparks are never produced on the spark plug, no matter how fast the propeller is flipped. The correct starting procedure is to quickly flip the propeller when the edge of the magnet on the rotor is approaching the coil (Figure 1-B). This means the propeller should be quickly flipped at about 90 degrees in crank angle before the compression stroke is about to start.

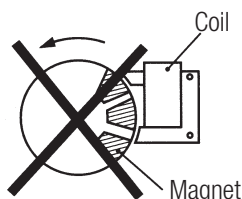


Fig 1-A

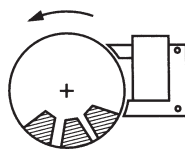


Fig 1-B

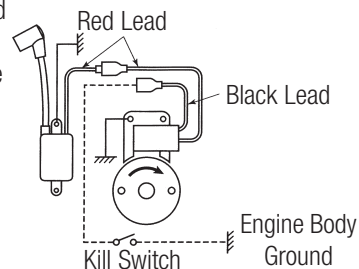
1. Make sure the spark (glow) plug(s) is installed and tightened. Check the condition of the plug cap for cracks or breaks.
2. Secure the propeller.
3. Make sure the fuel tank line(s) is properly connected. The main line should be connected to the carburetor spray bar.
4. Install the muffler(s).
5. Fill the fuel tank.
6. Choke the engine and turn the propeller a few times until fuel appears at the carburetor.
7. Set the throttle valve at the idle position or at the position slightly open from idle.
8. Quickly flip the propeller in a counterclockwise direction. The engine should start after a few flips of the propeller.
9. Open the choke when the initial firing of the engine is heard.
10. When the choke is opened, close the throttle valve to a position near idle before attempting to flip the propeller again.

CAUTION: Do not attempt to start the engine with the throttle fully open. If started wide open, a great thrusting force could be generated, leading to personal injury and/or property damage.

11. If you do not use a chicken stick to start the engine, wear a thick glove when flipping the propeller. Always use all fingers (except the thumb when attempting the flipping operation).
12. Do not over-rev the engine. These engines are designed to develop maximum output with the standard muffler and the recommended propeller size. Please refer to the propeller chart on page 10 to confirm the proper propeller for the applicable Zenoah engine.

Starting the Engine—Helicopter and Boat

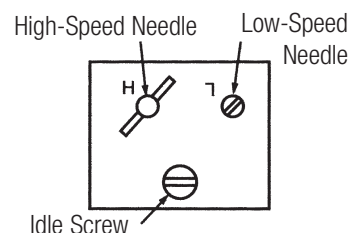
1. Fill the tank with fuel.
2. Push the priming bulb located on the carburetor until fuel appears in the priming bulb (for helicopter).
3. Choke the engine and open the throttle valve approximately 1/3–1/2 of the full open position.
4. Quickly pull the starter cord until the initial firing of the engine is heard.
5. When the initial firing is heard, open the choke, set the throttle valve at the idle position or at the position slightly open from the idle position. Quickly pull the starter cord a few more times until the engine starts.
6. For helicopter operation, you should adjust the rotor-pitch to obtain a 9,000 to 10,000 rpm of the engine at full throttle operation.



Stopping the Engine

The ability to shut down the engine in an emergency is extremely important. For stopping the engine, the black lead wire from the coil should be grounded to the engine body, or the throttle valve should be closed completely. Installation of a stop or kill switch is recommended.

We recommend the Zenoah Kill Switch (ZEN20000). Refer to the example shown in the following diagram.



Carburetor Adjustment

The carburetor is provided with three adjustment screws, which are factory set to the best (approximate) positions. They may need minor adjustment, depending upon the temperature, humidity, atmospheric pressure (altitude), etc., of the area where the engine is being used.

1. Start the engine without making any adjustments.
2. Make adjustments only when the engine shows signs of inefficient operation.
3. Standard settings of each needle is as follows:
 - a. Low-Speed Needle: 11/8 plus/minus 1/4
 - b. High-Speed Needle: 13/8 plus/minus 1/4

Idle Screw: Turning this screw clockwise increases the idling rpm. Turning it counterclockwise decreases the idling rpm.

Low-Speed Needle: This is the fuel-adjust screw (not the air screw). Turning this needle clockwise makes the gas mixture leaner, and turning it counterclockwise makes it richer.

High-Speed Needle: Turning this needle clockwise makes the gas mixture leaner, and turning it counterclockwise makes it richer. Set this needle at a position which is 1/4 open from the maximum rpm position while the aircraft is on the ground.

IMPORTANT: Do not tighten the high-and low-speed needles too tightly.

When the engine has just started and is not warm enough, there may be insufficient acceleration and the engine may die. Be sure to allow the engine to warm up at idle for a few minutes before conducting normal operation.

Engine Care and Maintenance

Recommendations

To extend the life of your Zenoah engine, the following is recommended:

1. Use an Evolution quality 2-stroke oil mixed at 32:1
2. Use the recommended spark plugs.
3. Use the proper propeller size and balance the propeller prior to use.

4. Always adjust the engine to a slightly rich setting.
5. For long-term storage, make sure there is no fuel left in the tank or the engine. Remove the spark plug(s) and apply several drops of high-quality oil (e.g., Marvel Air Tool Oil) to the top of the engine and into the spark plug hole. Rotate the crankshaft several times. Store the engine in the box it came in or on the airplane with the nose down in order to keep oil in the bearings.

Servicing the Engine

x	Required Tools		
	Regular screwdriver	Phillips screwdriver	Hexagonal wrench (4mm/5/32 in)
	Open wrench (19mm/3/4 in)	Plastic hammer	Thickness gauge
	Tapered round rod	Liquid gasket (Permatex or equivalent)	Threadlock (Blue Threadlock Z-42 or equivalent)
	Lithium grease	Engine oil	Washing gasoline
	Brush	Scraper	Cloth

The engine can be disassembled or reassembled without any specific difficulties, but note the following:

For disassembling, the special tools shown in the parts list are required (stopper, puller assembly), in addition to general tools. Be sure to use a new gasket when the crankcase and cylinder have been disassembled.

NOTICE: Do not disassemble, hit or twist the end of the crankshaft assembly.

Disassembly *(Applies to All Engine Types)*

1. Dismount the engine from the model.
2. Remove the carburetor and insulator carefully without damaging the gasket.
3. Remove the muffler.
4. Remove the spark plug and ignition module.
5. Remove the propeller hub.
6. Remove the rotor (flywheel). If it cannot be detached, use a plastic hammer and tap the part lightly.
 - a. Screw the stopper in place of the spark plug, then turn the rotor counterclockwise until the piston touches the stopper. Take care, as it can cause damage to the piston or connecting rod if the stopper is not screwed into the bottom.
 - b. Loosen and remove the rotor securing nut.
 - c. Remove the rotor by using the puller. Do not hit the crankshaft with the plastic hammer, as this can increase the runout of the shaft.
7. Remove the mounting plate.
8. Remove the four bolts from the crankcase.
9. Tap around the case fitting side gently with the plastic hammer and slowly separate the crankcase from the cylinder block.
10. Pull out the crankshaft with the piston, bearings, and other parts attached.
11. Remove the Woodruff key from the crankshaft.
12. Remove the oil seal, snap ring and bearings.
13. Remove the circlip and pull out the piston pin.
14. Remove the thrust washers and needle bearing from the smaller end of the connecting rod (G38).
15. Remove the piston ring.
16. Wash each part. Check for abrasion and damage, and replace any part that is defective.

Assembly (*Applies to All Engine Types*)

1. Apply engine oil (SAE #30) to the inside of the cylinder and the needle bearings on the larger end of the connecting rod.
2. Fit the piston ring to the piston.
3. Mount the needle bearing and thrust washer (with its oil slot facing inside) to the smaller end of the connecting rod and apply engine oil (SAE #30).
4. With the arrow on the top of the piston facing the straight side (opposite side to the propeller) of the crankshaft, fit the piston to the top of the connecting rod and insert the piston pin with its blank end to the exhaust port side.
5. Fit the circlip.
6. Fit the bearings, snap ring and oil seal to the crankshaft. Apply lithium grease to the lip area of the oil seal and fit it, paying attention to its direction.
7. Wipe the contact surfaces of the cylinder block and crankcase, and apply liquid gasket (Permatex or equivalent).
8. Put the piston in the cylinder, with the piston's arrow facing in the exhaust port direction. Set the crankshaft to the cylinder block, then fit the oil seal to the cylinder block. The snap ring joint should be set vertically to the cylinder.
9. Fit the crankcase to the cylinder block and tighten the bolts.
10. Check that the crankshaft can be smoothly turned by hand.
11. Put back the Woodruff key.
12. Replace the rotor (flywheel), fitting it to the Woodruff key. Tighten the hub nut after having applied threadlock (Blue Threadlock Z-42 or equivalent) to the threads.
13. Apply threadlock (Blue Threadlock Z-42) to the muffler bolts and mount the muffler.
14. Apply threadlock (Blue Threadlock Z-42) to the ignition module setscrews and fix the coil temporarily.
15. Set the rotor (flywheel) so the magnet is located on the opposite side of the module (G38). Place a thickness gauge between the core of the module and rotor (flywheel) and adjust the clearance to 0.25 ^ 0.35mm (0.01 ^ 0.014 in), then tighten the setscrews after having applied threadlock (Blue Threadlock Z-42) to them.
16. Using a new gasket, fix the insulator with screws to which threadlock (Blue Threadlock Z-42) has been applied.
17. Using a new gasket, mount the carburetor with screws, paying attention to its mounting direction.
18. Tighten the mounting plate, using screws with threadlock (Blue Threadlock Z-42) applied.
19. Install the spark plug.

Maintenance Chart

Items	Action	Before First Use	Every 25 Hours	Every 100 Hours	Note
Leakage, Damage/Crack	Check	✓	✓	✓	
Losing Speed	Check/Adjust	✓	✓	✓	
Air Cleaner (PUH)	Check/Cleaning	✓	✓	✓	Replace if necessary
Spark Plug (gap)	Check/Adjust		✓	✓	▼
Cylinder (barrel)	Check/Cleaning		✓	✓	▼
Piston, Ring	Check/Cleaning		✓	✓	▼
Muffler & Bolt	Check/Cleaning	✓	✓	✓	▼
Bearings	Check/Cleaning		✓	✓	▼
Crankshaft	Check/Alignment		✓	✓	▼
Rotor	Check		✓	✓	▼
Propeller Hub (PU)	Check/Alignment		✓	✓	▼
Water Jacket (PUM)	Check/Leakage	✓	✓	✓	▼

Specifications and Technical Data

Item	Unit	G260PU	G260PUM	G260PUH	G231PUM	G231PUH
Type	—	Air cooled	Water cooled	Air cooled	Water cooled	Air cooled
Bore x Stroke	mm	34 x 28	▲	▲	32 x 28	▲
Displacement	cm ³	25.4	▲	▲	22.5	▲
Effective Compression Ratio	—	8.4	▲	▲	▲	▲
Carburetor	Type (Walbro)	WT-645	WT-644	WT-677	WT-644	WT-677
	Venturi (mm)	12.7	▲	▲	▲	▲
Air Cleaner	—	—	—	Dry Type	—	Dry Type
Starting	—	Hand Flipping or Electric Motor	Recoil Starter	▲	▲	▲
Ignition	Type	CDI	▲	▲	▲	▲
	BTDC/rpm	28/7000	30/7000	▲	▲	▲
Spark Plug	STD	RZ7C	▲	▲	▲	▲
	Option	—	CMR8H/7H	—	CMR6H/7H	—
Idle Speed	rpm	1800 APC 18 x 8	3500	3000	3500	3000
Max. Power	rpm	1.62/12000	2.16/12000	1.71/13000	2.09/12000	1.58/13000
Min. Torque	rpm	1.48/9000	1.94/9500	1.42/9500	1.79/10000	1.34/9000
Fuel Consumption	cc	790	710	760	720	700
Weight	kg	1.69 (*1.52)	1.54	1.77 (*1.57)	1.55	1.78 (*1.58)

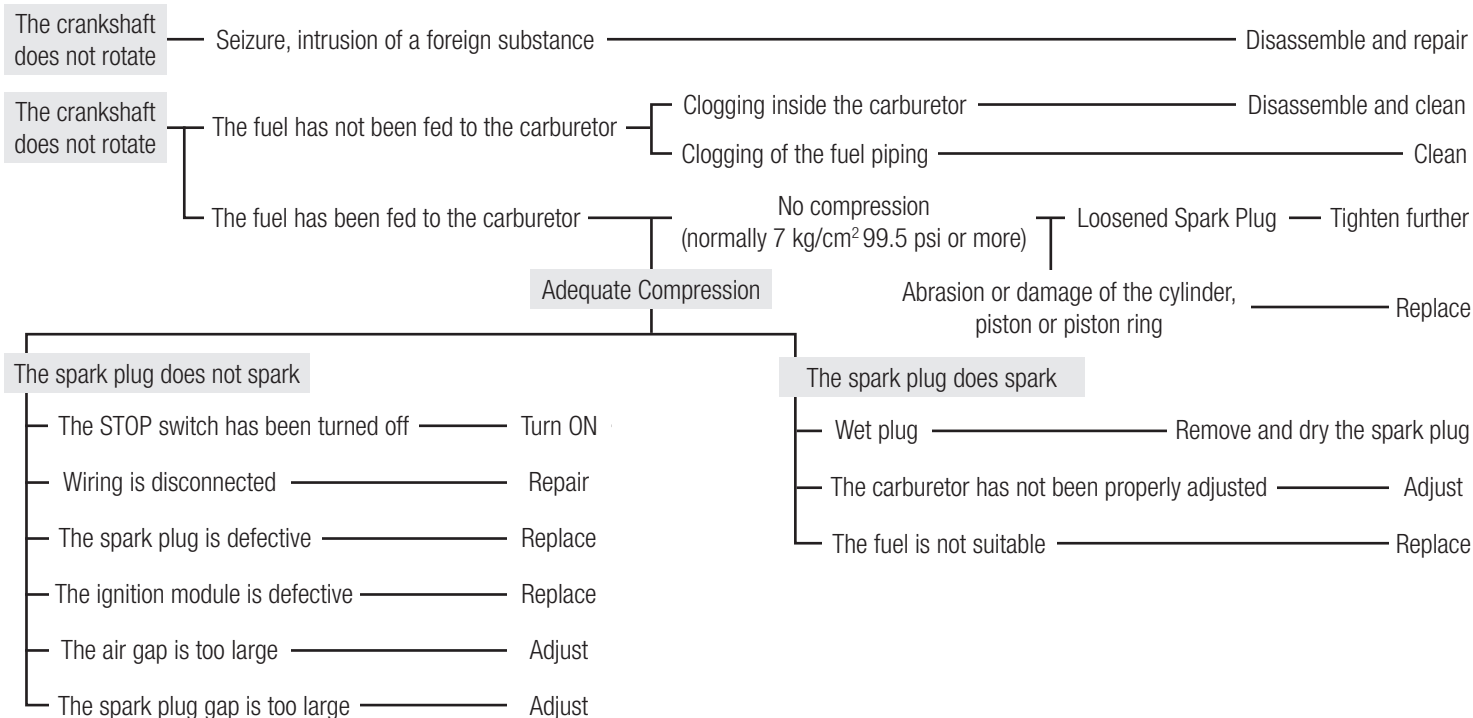
Maintenance Specifications

Item (mm)	Standard	Limit	Standard	Limit	Measuring Device	Remarks	
Cylinder Bore	ø34	Plating Damaged	ø32	Plating Damaged	Eye Checking		
Piston	Diameter	ø33.97	ø33.87	ø31.97	ø31.87	Micro Meter	At the skirt end and the right angle to the piston pin
	Piston Ring Groove Width	1.01	1.11	1.01	1.11	Thickness Gauge	
	Piston Ring Hole	ø8.01	ø8.05	ø8.01	ø8.05	Cylinder Gauge	
	Clearance between Piston and Cylinder	0.03–0.05	0.15	0.03–0.05	0.15	Micro Meter Cylinder Gauge	
	Clearance between Groove and Piston Ring	0.02–0.04	0.1	0.02–0.04	0.1	Thickness Gauge	
Piston Ring	End Gap	0.05–0.25	0.5	0.05–0.25	0.5	Thickness Gauge	When inserted in a new cylinder
	Width	0.98	0.93	0.98	0.93	Micro Meter	
Piston Pin Diameter (mm)	ø8	ø7.98	ø8	ø7.98	Micro Meter		
Connecting Rod. Small end (mm)	ø11	ø11.05	ø11	ø11.05	Cylinder Gauge		
Crankshaft Diameter At main bearing (mm)	ø12	ø11.98	ø12	ø11.98	Micro Meter		
Main Bearing	Eccentricity	—	0.07	—	0.07	Dial Gauge	
	Axial Play	—	0.5	—	0.5	Thickness Gauge	
	Main Bearing	—	Gritty or Flat Spot	—	Gritty or Flat Spot	—	—

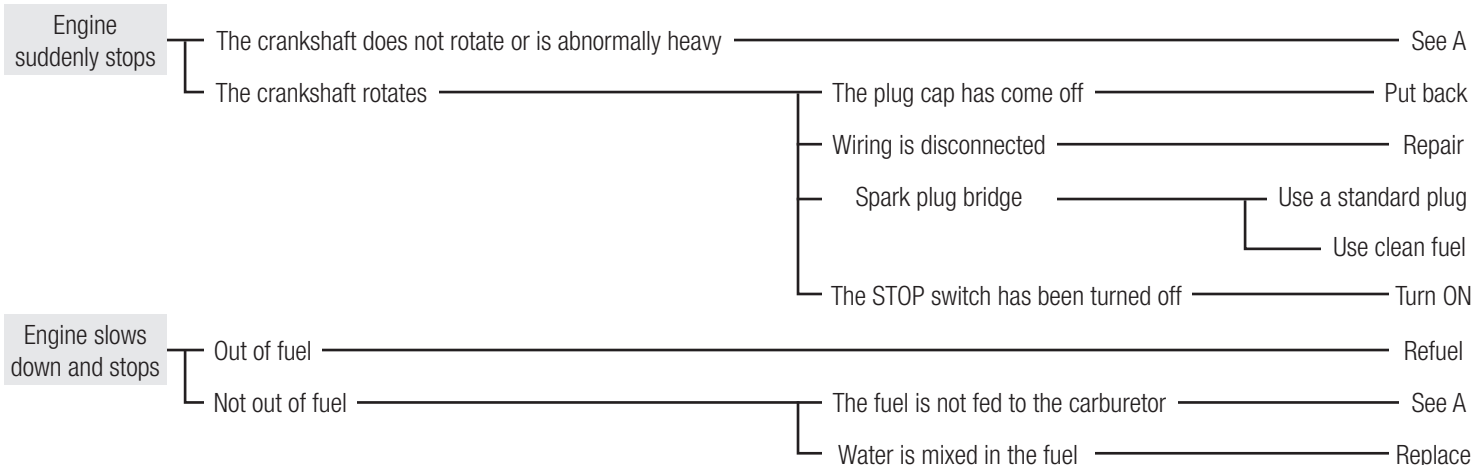
Troubleshooting Guide for Gas Engines

Generally speaking, there are very few things that will keep today's modern engines from starting. Use good quality "fresh" fuel and make sure good plugs are installed. Should the engine fail to start after these items are verified, refer to the charts on the following page.

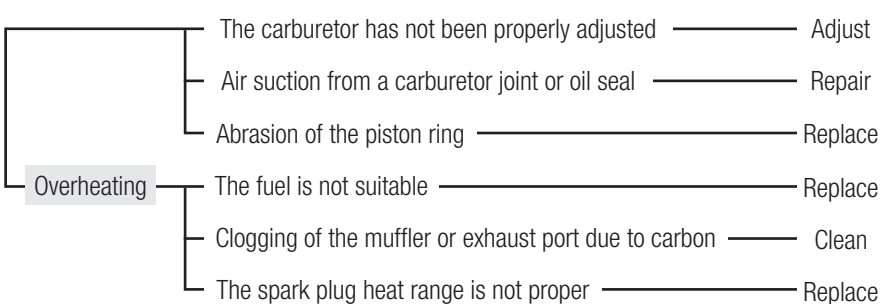
A) The engine does not start



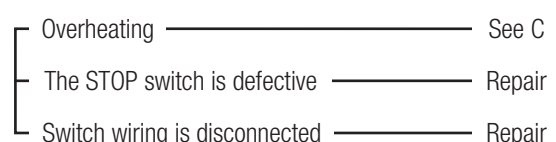
B) The engine stops by itself



C) Lower power output



D) The engine does not stop



In the event that none of the above procedures result in the engine running properly, contact our service department for suggestions:

Horizon Hobby, LLC.
2904 Research Road
Champaign, IL 61822
Phone: 1-877-504-0233 (M-F 8:00-5:00 CST)

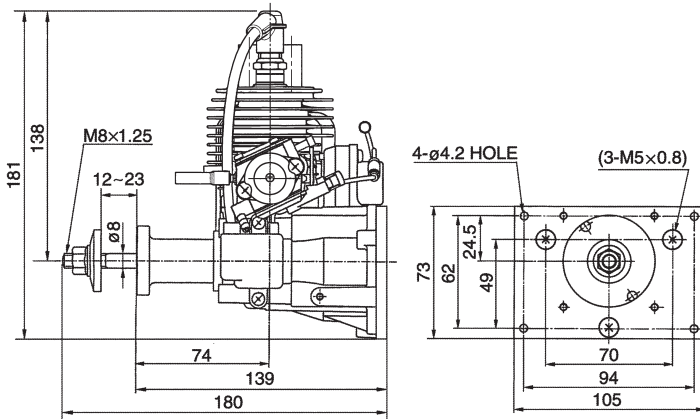
Propeller Chart

This chart enables you to select the best propeller for the initial setup of your Zenoah engine. Remember, it's imperative to balance each propeller prior to installation onto your Zenoah engine. Failure to do so may cause unwanted vibration in your aircraft.

All recommendations are based on engines using APC brand props.

Engine	Propeller
G26A	16 x 8 @ 8,700
G231 Heli G26 Heli	Adjust pitch of rotor to obtain 9,000–10,000 rpm of the engine at full throttle
G26 Marine G231 Marine	Diameter = 65–75mm Pitch Ratio 1.4–1.9mm
G38 Gas	18 x 10 @ 7,300
G45 Gas	20 x 10 @ 7,200
G62 Gas	22 x 10 @ 7,200
GT80 Gas	22 x 12 @ 7,200; 24 x 10 @ 7,200

Engine Specifications



Outside Dimensions (mm)

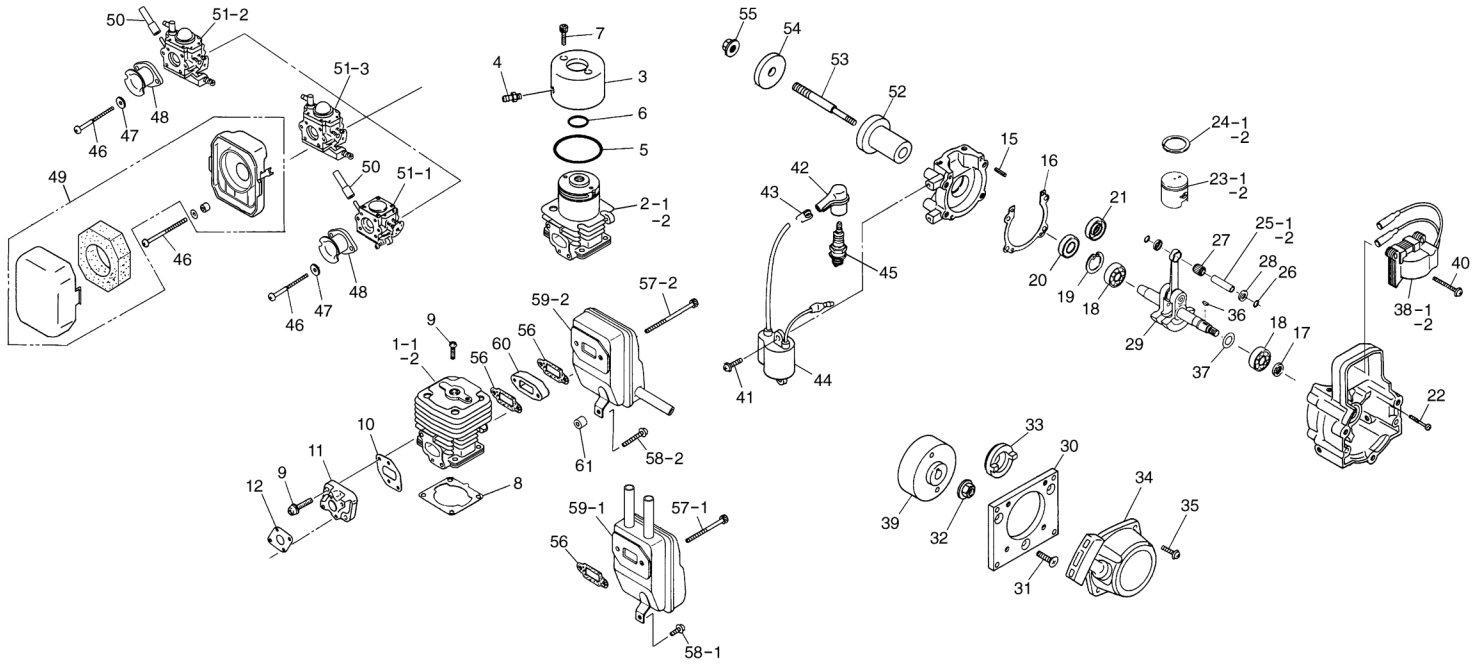
Item	Length	Width	Height	Operating RPM	Optional Mufflers
G26A	139	105	181	2,000–10,000	BIS07123
G26M	139	105	181	2,000–10,000	—
G26H	139	105	181	2,000–10,000	—
G231 Heli	142	105	181	3,000–11,000	—
G231 Marine	142	105	181	3,500–15,000	—
G38	170	130	215	2,000–9,000	BIS07138
G45	152	130	185	2,000–10,000	BIS07145
G62	162.5	140	185	2,000–10,000	BIS07163
GT80	191.5	257	190	1,800–10,000	BIS07445/6

Specifications

	Displacement (cu in)	Bore (in)	Stroke (in)	Weight (oz)	K (ISO)	HP (H/M)	Carb (Walbro)
G26A/M/H	1.55	1.41	1.1	54/57	M8 x 1.25/6 x 1	2.4	WT645/644/677
G231M/H	1.4	1.3	1.1	54	M8 x 1.25	2.2	WT644/643
G38	2.3	1.5	1.3	67	M10 x 1.25	2.2	WT338/WTA-6A
G45	2.74	1.69	1.22	74	8 x 1	3.3	HDA-48D
G62	3.8	1.9	1.4	73	10 x 1	4.75	HDA-48D
GT80	4.8	1.60	1.22	126	10 x 1.25	6	WJ-64

*with spring starter

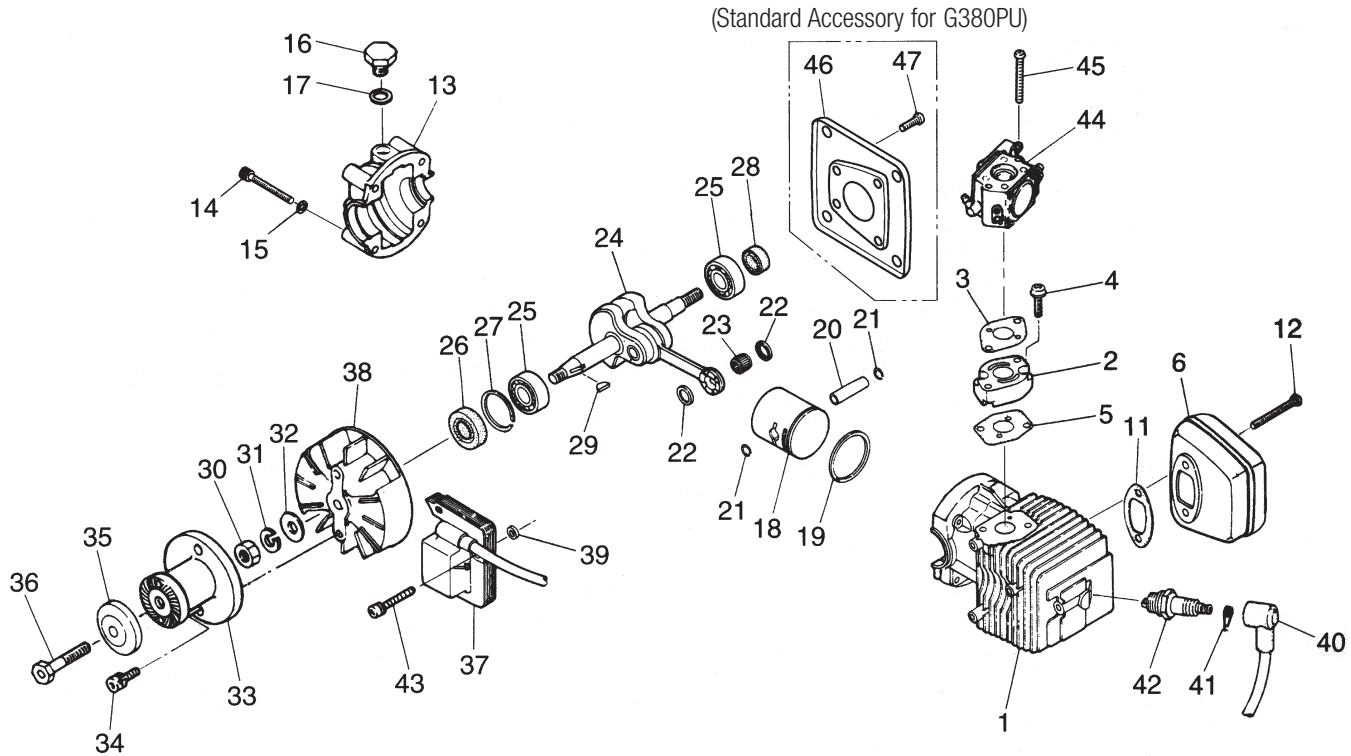
Exploded View - G26/G231



#	New Part #	Old Part #	Description	Quantity Per Unit				
				G260 PU	G260 PUM	G260 PUH	G231 PUM	G231 PUH
1-1	ZENT207512110	ZEN2601	CYLINDER	1	—	1	—	—
1-2	ZENT207012111	ZEN2301RCA	CYLINDER	—	—	—	—	1
2-1	ZENT207612110	ZEN2601M	CYLINDER	—	1	—	—	—
2-2	ZENT207812110	ZEN23102M	CYLINDER	—	—	—	1	—
3	ZENT207612210	ZEN2603M	JACKET	—	1	—	1	—
4	ZEN0785100515	ZEN2304M	JOINT	—	2	—	2	—
5	ZEN0700013040	ZEN23105M	O-RING 3 x 40	—	1	—	1	—
6	ZENT207612320	ZEN23106M	O-RING 1.5 x 15.5	—	1	—	1	—
7	ZEN116012330	ZEN2307M	BOLT M3 x 8	—	2	—	2	—
8	ZENT207513120	ZEN23108	GASKET, CYLINDER	1	1	1	1	1
9	ZEN331012281	ZEN2309	BOLT M5X20	6	6	6	6	6
10	ZENT207513150	ZEN2305RC	GASKET, INSULATOR	1	1	1	1	1
11	ZEN114813162	ZEN23111	INSULATOR	1	1	1	1	1
12	ZENT207514120	ZEN23112	GASKET, CARBURETOR	1	1	2	1	2
13-14	ZENT207521100	ZEN23114	CRANKCASE, COMPLETE	1	1	1	1	1
15	ZEN262921130	ZEN6213	PIN	3	3	3	3	3
16	ZENT207521140	ZEN23116	GASKET	1	1	1	1	1
17	ZEN216921210	ZEN3828	SEAL, 12 x 22 x 7	1	1	1	1	1
18	ZEN115521240	—	BEARING	2	2	2	2	2
19	ZEN0406502812	ZEN2319	SNAP RING	1	1	1	1	1
20	ZEN0603406001	ZEN2320	BEARING	1	—	1	—	1
21	ZEN185021220	ZEN2321M	SEAL, 12 x 28 x 7	—	1	—	1	—
22	ZEN0125230530	ZEN2322	BOLT, M5 x 30	4	4	4	4	4
23-1	ZENT208841110	ZEN2623	PISTON	1	1	1	—	—
23-2	ZENT207041110	ZEN2320RC	PISTON	—	—	—	1	1
24-1	ZENT208841210	ZEN2624	RING	1	1	1	—	—
24-2	ZENT207041210	ZEN2321RC	RING	—	—	—	1	1

#	New Part #	Old Part #	Description	Quantity Per Unit				
				G260 PU	G260 PUM	G260 PUH	G231 PUM	G231 PUH
25-1	ZEN160041310	ZEN2625	PISTON PIN	1	1	1	–	–
25-2	ZEN110141310	ZEN2322RC	PISTON PIN	–	–	–	1	1
26	ZEN126041320	ZEN2323RC	SNAP RING	2	2	2	2	2
27	ZEN8488881100	ZEN2324RC	BEARING	1	1	1	1	1
28	ZEN110141340	ZEN2325RC	WASHER	2	2	2	2	2
29	ZENT207542000	ZEN23129	CRANKSHAFT, COMPLETE	1	1	1	1	1
30	ZEN115574110	ZEN2330	MOUNT, PLATE	1	1	1	1	1
31	ZEN026210516	ZEN2331	SCREW, M5 x 16	3	3	3	3	3
32	ZEN165043230	ZEN2327RC	NUT, M8	1	–	–	–	–
33	ZEN116075210	ZEN2333M	PULLEY	–	1	1	1	1
34	ZEN186175101	ZEN2634	RECOIL ASSEMBLY	–	1	1	1	1
35	ZEN100043240	ZEN2328RC	KEY	1	1	1	1	1
36	ZEN114043250	ZEN2337	SHIM	1	1	1	1	1
37-1	ZEN262971210	ZEN6236	COIL, (GRAY)	1	–	–	–	–
37-2	ZEN116071211	ZEN2339M	COIL, (RED)	–	1	1	1	1
38	ZEN115571110	ZEN2354	ROTOR	1	1	1	1	1
39	ZEN026030422	ZEN6241	SCREW M4 x 22	2	2	2	2	2
40	ZENT207572210	ZEN2638	PLUG CAP	1	1	1	1	1
41	ZEN190072120	ZEN6239	SPRING	1	1	1	1	1
42	ZEN262971311	ZEN6237	COIL	1	1	1	1	1
43	ZENT207073110	ZEN26451	SPARK PLUG RZ7C	1	1	1	1	1
	ZEN369991975	ZEN2667M	SPARK PLUG MARINE ONLY	–	1	–	1	–
44	ZEN026330555	ZEN2648	SCREW, M5 x 55	2	2	2	2	2
45	ZEN114283110	ZEN2647	SPACER, 5 x 10 x 1.6	2	2	–	2	–
46	ZEN848ES08300	ZEN2649A	AIR FUNNEL (VENTURI)	1	1	–	1	–
47	ZENT207782000	ZEN23150H	CLEANER ASSEMBLY	–	–	1	–	1
48-1	ZENT207581000	ZEN2651	CARBURETOR ASSY WT-645	1	–	–	–	–
48-2	ZENT207681000	ZEN23151	CARBURETOR ASSY WT-644	–	1	–	1	–
48-3	ZENT207781000	ZEN23152	CARBURETOR ASSY WT-813	–	–	1	–	1
49	ZEN115243260	ZEN2359	HUB	1	–	–	–	–
50	ZEN115243281	ZEN2360	STUD	1	–	–	–	–
51	ZEN115243290	ZEN2361	WASHER	1	–	–	–	–
52	ZEN335053410	ZEN2362	NUT, M8	1	–	–	–	–
53	ZEN114013141	ZEN23156	GASKET, MUFFLER	1	–	2	–	2
54-1	ZEN0125230550	ZEN2357	BOLT, M5 x 50	2	–	–	–	–
54-2	ZEN0125230560	ZEN2357H	BOLT, M5 x 60	–	–	2	–	2
55-1	ZEN026330408	ZEN2358	SCREW, M4 x 8	1	–	–	–	–
55-2	ZEN026390416	ZEN2358H	SCREW, M4 x 16	–	–	1	–	1
56-1	ZENT207515110	ZEN2655	MUFFLER	1	–	–	–	–
56-2	ZEN114808010	ZEN2355	MUFFLER	–	–	1	–	1
57	ZEN114515412	ZEN2366	SPACER	–	–	1	–	1
58	ZEN115815420	ZEN2367	SPACER	–	–	1	–	1
59	ZENT303991310	ZEN23124RC	SOCKET	1	1	1	1	1
	ZEN20005	ZEN20005	PISTON STOPPER				1	1

Exploded View - G38

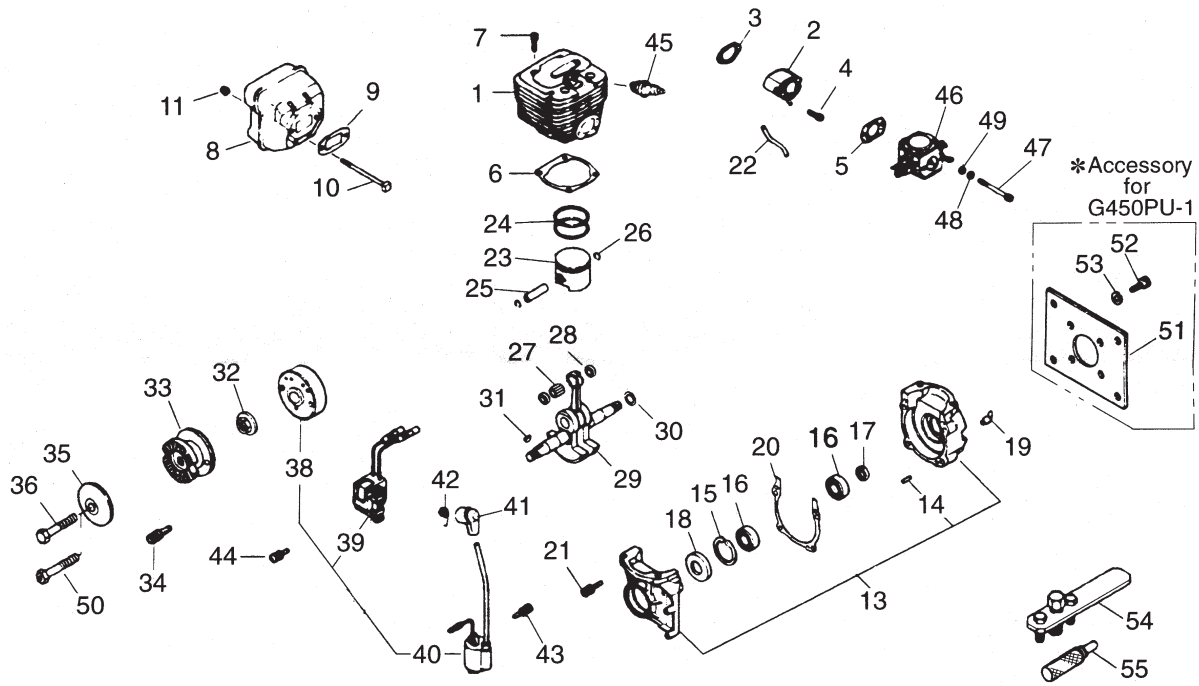


(Standard Accessory for G380PU)

#	New Part #	Old Part #	Description	QTY
1	ZEN337812111	ZEN3801	CYLINDER	1
2	ZEN333014111	ZEN3802	INSULATOR	1
3	ZEN333014121	ZEN3803	CARB GASKET	1
4	ZEN026020520	ZEN3804	INSULATOR SCREW	2
5	ZEN333014132	ZEN3805	INSULATOR GASKET	1
6	ZEN337815000	ZEN3806	MUFFLER ASSEMBLY	1
11	ZEN284115210	ZEN3811	MUFFLER GASKET	1
12	ZEN333015220	ZEN3812	MUFFLER BOLT	2
13	ZEN337821110	ZEN3813	CRANKCASE	1
14	ZEN0125230540	ZEN3814	CASE BOLT	4
15	ZEN029220510	ZEN3815	CASE WASHER	4
16	ZEN312013510	ZEN3816	CASE PLUG	1
17	ZEN313013520	ZEN3817	PLUG GASKET	1
18	ZEN334041113	ZEN3818	PISTON	1
19	ZEN334041211	ZEN3819	PISTON RING	1
20	ZEN330441310	ZEN3820	PISTON PIN	1
21	ZEN331041320	ZEN3821	PIN RETAINER	2
22	ZEN165041510	ZEN3822	CONROD SPACER	2
23	ZEN331041410	ZEN3823	CONROD BEARING	1
24	ZEN337842000	ZEN3824	CRANKSHAFT	1
25	ZEN603006201	ZEN3825	CRANKSHAFT BEARING	2
26	ZEN165021220	ZEN3826	FRONT OIL SEAL	1

#	New Part #	Old Part #	Description	QTY
27	ZEN0406503212	ZEN3827	SNAP RING	1
28	ZEN216921210	ZEN3828	REAR OIL SEAL	1
29	ZEN126043240	ZEN3829	KEY	1
30	ZEN165043230	ZEN2327RC	ROTOR NUT	1
31	ZEN029020820	ZEN3831	LOCK WASHER	1
32	ZEN0164120812	ZEN3832	ROTOR WASHER	1
33	ZEN260951110	ZEN3833	PROP HUB	1
34	ZEN354411510	ZEN6232	HUB BOLT	2
35	ZEN114543290	ZEN3835	PROP WASHER	1
36	ZEN260951411	ZEN3836	PROP BOLT	2
37	ZEN337871110	ZEN3837	MODULE	1
38	ZEN260971210	ZEN3838	ROTOR	1
39	ZEN126071261	ZEN3839	SPACER (MODULE)	3
40	ZEN262972210	ZEN6238	PLUG CAP	1
41	ZEN190072120	ZEN6239	CAP SPRING	1
42	ZEN6242	ZEN6242	SPARK PLUG, C859	1
43	ZEN331072150	ZEN3843	MODULE BOLT	3
44-1	ZEN3844	ZEN3844	CARB ASSY (HT-338) WITH CHOKE	1
45	ZEN026010540	ZEN3845	CARB SCREW	2
46	ZEN337885111	ZEN3846	MOUNT	1
47	ZEN026000512	ZEN3847	MOUNTING BOLT	4
	ZEN20005	ZEN20005	PISTON STOPPER (FOR G380PU)	1

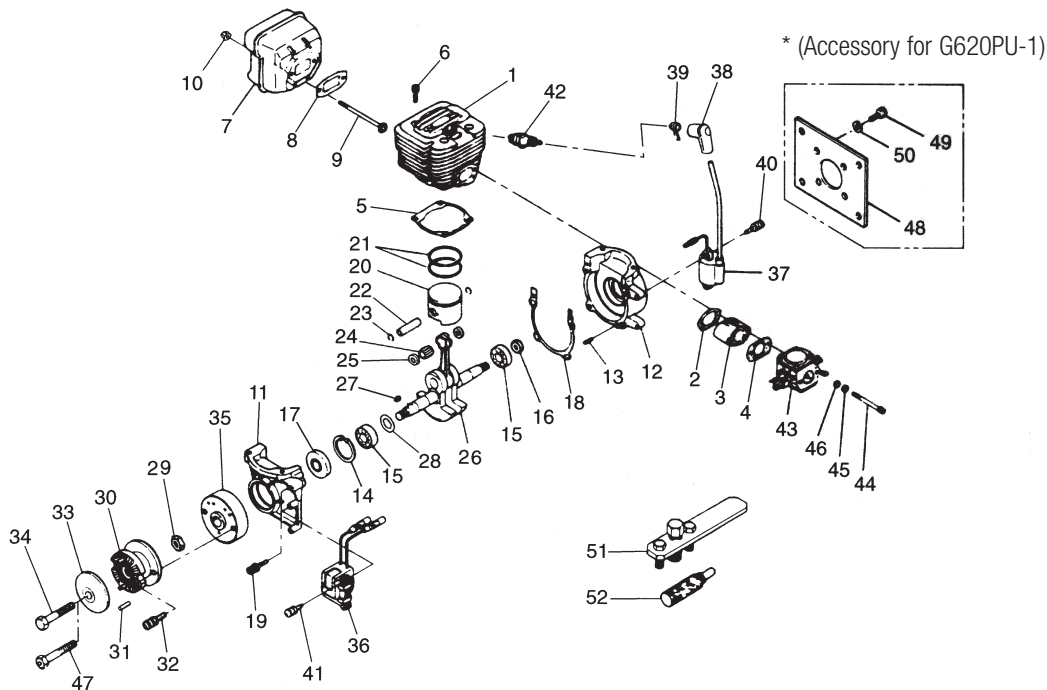
Exploded View - G45



#	New Part #	Old Part #	Description	QTY
1	ZEN281712111	ZEN4501	CYLINDER	1
2	ZEN281714110	ZEN4502	INSULATOR	1
3	ZEN281714121	ZEN4503	INSULATOR GASKET	1
4	ZEN482013180	ZEN4504	BOLT	2
5	ZEN848C9014C2	ZEN6204	CARBURETOR GASKET	1
6	ZEN267014211	ZEN4506	CYLINDER GASKET	1
7	ZEN482013180	ZEN4504	BOLT	4
8	ZEN281715111	—	MUFFLER	1
9	ZEN335615210	ZEN6208	MUFFLER GASKET	1
10	ZEN335615220	ZEN6209A	MUFFLER BOLT	2
11	ZEN285015230	ZEN6210	MUFFLER NUT	2
13	ZEN281721101	ZEN4513	CRANKCASE COMP.	1
14	ZEN262921130	ZEN6213	CASE PIN	3
15	ZEN040650351550	ZEN6214	SNAP RING	1
16	ZENT401221240	ZEN6215	BEARING	2
17	ZEN152021220	ZEN6216	REAR OIL SEAL	1
18	ZENT110821220	ZEN6217	FRONT OIL SEAL	1
19	ZEN267021250	ZEN6276	ELBOW FUEL NIPPLE	1
20	ZEN281721311	ZEN4520	CASE GASKET	1
21	ZEN482013180	ZEN4504	BOLT	4
22	ZEN281722210	ZEN4522	PIPE	1
23	ZEN267041114	ZEN4523	PISTON	1
24	ZEN267041211	ZEN4524	PISTON RING	2
25	ZEN335041310	ZEN4525	PISTON PIN	1
26	ZEN335041320	ZEN6223	PIN RETAINER	2
27	ZEN140041410	ZEN6224	NEEDLE BEARING	1
28	ZEN267041510	ZEN4528	SPACER CONROD	2

#	New Part #	Old Part #	Description	QTY
29	ZEN281742001	ZEN4529	CRANKSHAFT COMP.	1
30	ZEN130042410	ZEN6228	SHIM	0-2
31	ZEN100043240	ZEN6227	KEY	1
32	ZEN140043230	ZEN6229	FLYWHEEL NUT	1
33	ZEN20004A	ZEN20004A	PROP HUB 2-3/16"	1
	ZEN20004	ZEN20004	PROP HUB 2"	1
34	ZEN354411510	ZEN6232	HUB BOLT	2
35	ZEN262951310	ZEN6233	WASHER	1
36	ZEN262951410	ZEN6234	PROP BOLT	1
38	ZEN149071110	ZEN6235	ROTOR	1
39	ZEN262971210	ZEN6236	SOURCE COIL	1
40	ZEN262971311	ZEN6237	IGNITION COIL	1
41	ZEN262972210	ZEN6238	PLUG CAP (BLACK)	1
42	ZEN90072120	ZEN6239	CAP SPRING	1
43	ZEN026330416	ZEN4543	SOURCE COIL SCREW	2
44	ZEN026030422	ZEN6241	COIL SCREW	2
45	ZEN6242	ZEN6242	SPARK PLUG	1
46	ZEN6243	ZEN6243	CARBURETOR ASSEMBLY	1
47	ZEN0125230550	ZEN4547	BOLT	2
48	ZEN0160120513	ZEN6246	WASHER	2
49	ZEN262991510	ZEN6247	BOLT	1
50	ZEN262891110	ZEN6248	MOUNT	1
51	ZEN0125230614	ZEN6249	BOLT	4
52	ZEN029020615	ZEN6250	WASHER	4
53	ZEN149096101	ZEN6251	PULLER ASSEMBLY	1
54	ZEN20005	ZEN20005	STOPPER (OPTIONAL)	1

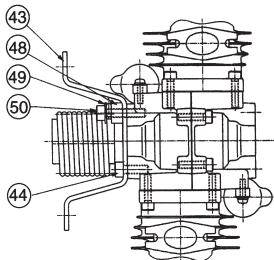
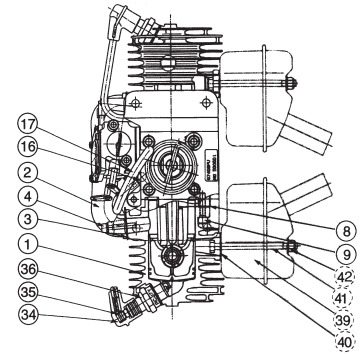
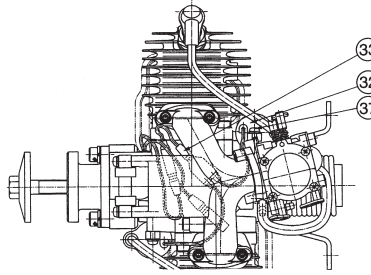
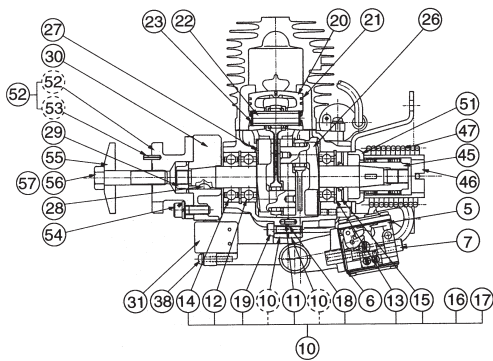
Exploded View - G62



#	New Part #	Old Part #	Description	QTY
1	ZEN336612116	ZEN6201	CYLINDER	1
2	ZEN848C9014B3	ZEN6202	INSULATOR GASKET	1
3	ZEN261814120	ZEN6203	INSULATOR	1
4	ZEN848C9014C2	ZEN6204	CARBURETOR GASKET	2
5	ZEN261614211	ZEN6205	CYLINDER BASE GASKET	1
6	ZEN331012281	ZEN2309	CYLINDER BOLT	1
7	ZEN281715111	—	MUFFLER	4
8	ZEN335615210	ZEN6208	MUFFLER GASKET	1
9	ZEN335615220	ZEN6209	MUFFLER BOLT	1
10	ZEN285015230	ZEN6210	MUFFLER NUT	2
11,12	ZEN262921100	ZEN6211	CRANKCASE COMP.	2
13	ZEN262921130	ZEN6213	CASE PIN	1
14	ZEN040650351550	ZEN6214	SNAP RING	3
15	ZENT401221240	ZEN6215	BEARING	1
16	ZEN152021220	ZEN6216	REAR OIL SEAL	2
17	ZENT110821220	ZEN6217	FRONT OIL SEAL	1
18	ZEN262921311	ZEN6218	CRANKCASE GASKET	1
19	ZEN335021320	ZEN6219	CASE ASSEMBLY BOLT	1
20	ZEN261841112	ZEN6220	PISTON	1
21	ZEN261841210	ZEN6221	PISTON RING	4
22	ZEN336641310	ZEN6222	PISTON PIN	1
23	ZEN335041320	ZEN6223	PIN RETAINER	1
24	ZEN140041410	ZEN6224	NEEDLE BEARING	2
25	ZEN261641510	ZEN6225	CONNECTING ROD SPACER	1
26	ZEN262942002	ZEN6226	CRANKSHAFT COMP.	2

#	New Part #	Old Part #	Description	QTY
27	ZEN100043240	ZEN6227	KEY	1
28	ZEN130042410	ZEN6228	SHIM	2
29	ZEN140043230	ZEN6229	FLYWHEEL NUT	1
30	ZEN20004	ZEN20004	PROP HUB 2"	0-2
	ZEN20004A	ZEN20004A	PROP HUB 2-3/16"	1
31	ZEN0402500312	ZEN6231	PIN FOR G620PU-1	1
32	ZEN354411510	ZEN6232	HUB BOLT	1
33	ZEN262951310	ZEN6233	PROP WASHER	1
34	ZEN262951410	ZEN6234	PROP BOLT	2
35	ZEN149071110	ZEN6235	ROTOR	1
36	ZEN262971210	ZEN6236	SOURCE COIL	1
37	ZEN262971311	ZEN6237	IGNITION COIL	1
38	ZEN262972210	ZEN6238	PLUG CAP (BLACK)	1
39	ZEN190072120	ZEN6239	PLUG CAP SPRING	1
40	ZEN026330416	ZEN6240	IGNITION COIL SCREW	1
41	ZEN026030422	ZEN6241	SOURCE COIL SCREW	1
42	ZEN6242	ZEN6242	SPARK PLUG, C859	2
43	ZEN6243	ZEN6243	CARBURETOR ASSEMBLY	2
44	ZEN262982210	ZEN6244	CARB MOUNT SCREW	1
45	ZEN0160120513	ZEN6246	WASHER	1
46	ZEN262991510	ZEN6247	TAP PROP BOLT	2
47	ZEN262891110	ZEN6248	MOUNT	2
48	ZEN0125230614	ZEN6249	BOLT	1
49	ZEN029020615	ZEN6250	WASHER	1
50	ZEN149096101	ZEN6251	PULLER ASSEMBLY	4
51	ZEN20005	ZEN20005	STOPPER (OPTIONAL)	4

Exploded View - GT80



G80A

#	New Part #	Old Part #	Description	QTY
01	ZEN286912110	ZEN8001	CYLINDER	2
02	ZENT208014110	ZEN8002	INTAKE MANIFOLD (BLACK)	1
20	ZENT200241110	ZEN8020	PISTON	2
21	ZEN266041211	ZEN8021	PISTON RING	2
40	ZEN20006	ZEN20006	CARBURETOR INSULATOR	1

#	New Part #	Old Part #	Description	QTY
1	ZEN289812111	ZEN44501	CYLINDER	2
2	ZEN289814111	ZEN44502	MANIFOLD	1
3	ZEN285014123	ZEN44503	MANIFOLD GASKET	2
4	ZEN331072150	ZEN3848	MANIFOLD BOLT	4
5	ZEN289881000	ZEN44505	CARBURETOR ASSEY	1
6	ZEN289814131	ZEN44506	CARBURETOR GASKET	1
7	ZEN0125230550	ZEN2357	CARB BOLT	2
8	ZEN289814210	ZEN44508	CYLINDER GASKET	2
9	ZEN0125230520	ZEN44509	BOLT	8
10	ZEN289821001	ZEN44510	CRANKCASE ASSEMBLY	1
11	ZEN262921130	ZEN6213	PIN	4
12	ZENT401221240	ZEN6215	BEARING	2
13	ZEN040650351550	ZEN6214	SNAP RING	2
14	ZEN0603406202	ZEN44514	BEARING	1
15	ZENT110821220	ZEN6217	FRONT OIL SEAL	1
16	ZEN267021250	ZEN6276	FUEL NIPPLE ELBOW	1
17	ZEN106581100	ZEN44517	PIPE	1
18	ZEN289821310	ZEN44518	CRANKCASE GASKET	1
19	ZEN0125230520	ZEN44509	BOLT	4
20	ZEN285041110	ZEN44520	PISTON	2
21	ZEN285041210	ZEN44521	PISTON RING	4
22	ZEN285041310	ZEN44522	PISTON PIN	2
23	ZEN130041320	ZEN44523	PIN RETAINER	4
26	ZEN289842000	ZEN44526	CRANKSHAFT COMP	1
27	ZEN130042410	ZEN6228	SHIM	0-2
28	ZEN100043240	ZEN6227	KEY	1
29	ZEN140043230	ZEN6229	NUT	1
30	ZEN149071110	ZEN6235	ROTOR	1
31	ZEN262971210	ZEN6236	SOURCE COIL	1
32	ZEN262971311	—	IGNITION COIL	2
33	ZEN289871510	ZEN44533	CORD	1

#	New Part #	Old Part #	Description	QTY
34	ZEN262972210	ZEN6238	PLUG CAP (BLACK)	2
35	ZEN190072120	ZEN6239	CAP SPRING	2
36	ZEN6242	ZEN6242	SPARK PLUG, C859	2
37	ZEN026330408	—	SCREW	4
38	ZEN026030422	ZEN44538	SCREW	2
39	ZEN289815110	ZEN44539	MUFFLER	2
40	ZENT210015210	ZEN44540	MUFFLER GASKET	2
41	ZEN335615220	ZEN6209	MUFFLER BOLT	4
42	ZEN285015230	ZEN44542	NUT	4
43	ZEN289874110	ZEN44543	MOUNT	1
44	ZEN0125230614	ZEN44544	BOLT	3
45	ZEN269975110	ZEN44545	BOSS	1
46	ZEN269975200	ZEN44546	CLUTCH COMP	1
47	ZEN269975310	ZEN44547	SPRING	1
48	ZEN269975320	ZEN44548	COLLAR	1
49	ZEN331071150	ZEN44549	WASHER	1
50	ZEN0125230625	ZEN44550	BOLT	1
51	ZEN269975410	ZEN44551	PAD	1
52	ZEN262851101	ZEN44552	HUB. PROPELLER COMP	1
53	ZEN0402500312	ZEN44553	PIN	2
54	ZEN354411510	ZEN6232	HUB BOLT	2
55	ZEN262951310	ZEN6233	HUB WASHER	1
56	ZEN262951410	ZEN6234	PROP BOLT	1
57	ZEN262991510	ZEN6247	TAP PROP BOLT	1
59	ZEN149096101	ZEN6251	PULLER ASSY (OPTIONAL)	1
60	ZEN20005	ZEN44554	STOPPER (OPTIONAL)	1
	ZEN289881410	ZEN44556	HIGH-SPEED NEEDLE	1
	ZEN289881420	ZEN44557	LOW-SPEED NEEDLE	1

Zenoah 3-Year Limited Warranty

What this Warranty Covers - Horizon Hobby, LLC., (Horizon) warrants to the original purchaser that the product purchased (the "Product") will be free from defects in materials and workmanship for a period of 3 years from the date of purchase.

What is Not Covered - This warranty is not transferable and does not cover (i) cosmetic damage, (ii) damage due to acts of God, accident, misuse, abuse, negligence, commercial use, or due to improper use, installation, operation or maintenance, (iii) modification of or to any part of the Product, (iv) attempted service by anyone other than a Horizon Hobby authorized service center, (v) Product not purchased from an authorized Horizon dealer or (vi) Product not compliant with applicable technical regulations.

OTHER THAN THE EXPRESS WARRANTY ABOVE, HORIZON MAKES NO OTHER WARRANTY OR REPRESENTATION, AND HEREBY DISCLAIMS ANY AND ALL IMPLIED WARRANTIES, INCLUDING, WITHOUT LIMITATION, THE IMPLIED WARRANTIES OF NON-INFRINGEMENT, MERCHANTABILITY AND FITNESS FOR A PARTICULAR PURPOSE. THE PURCHASER ACKNOWLEDGES THAT THEY ALONE HAVE DETERMINED THAT THE PRODUCT WILL SUITABLY MEET THE REQUIREMENTS OF THE PURCHASERS INTENDED USE.

Purchasers Remedy - Horizons sole obligation and purchasers sole and exclusive remedy shall be that Horizon will, at its option, either (i) service, or (ii) replace, any Product determined by Horizon to be defective. Horizon reserves the right to inspect any and all Product(s) involved in a warranty claim. Service or replacement decisions are at the sole discretion of Horizon. Proof of purchase is required for all warranty claims. SERVICE OR REPLACEMENT AS PROVIDED UNDER THIS WARRANTY IS THE PURCHASERS SOLE AND EXCLUSIVE REMEDY.

Limitation of Liability - HORIZON SHALL NOT BE LIABLE FOR SPECIAL, INDIRECT, INCIDENTAL OR CONSEQUENTIAL DAMAGES, LOSS OF PROFITS OR PRODUCTION OR COMMERCIAL LOSS IN ANY WAY, REGARDLESS OF WHETHER SUCH CLAIM IS BASED IN CONTRACT, WARRANTY, TORT, NEGLIGENCE, STRICT LIABILITY OR ANY OTHER THEORY OF LIABILITY, EVEN IF HORIZON HAS BEEN ADVISED OF THE POSSIBILITY OF SUCH DAMAGES. Further, in no event shall the liability of Horizon exceed the individual price of the Product on which liability is asserted. As Horizon has no control over use, setup, final assembly, modification or misuse, no liability shall be assumed nor accepted for any resulting damage or injury. By the act of use, setup or assembly, the user accepts all resulting liability. If you as the purchaser or user are not prepared to accept the liability associated with the use of the Product, purchaser is advised to return the Product immediately in new and unused condition to the place of purchase.

Law - These terms are governed by Illinois law (without regard to conflict of law principals). This warranty gives you specific legal rights, and you may also have other rights which vary from state to state. Horizon reserves the right to change or modify this warranty at any time without notice.

WARRANTY SERVICES

Questions, Assistance, and Services - Your local hobby store and/or place of purchase cannot provide warranty support or service. Once assembly, setup or use of the Product has been started, you must contact your local distributor or Horizon directly. This will enable Horizon to better answer your questions and service you in the event that you may need any assistance. For questions or assistance, please visit our website at www.horizonhobby.com, submit a Product Support Inquiry, or call 877.504.0233 toll free to speak to a Product Support representative.

Inspection or Services - If this Product needs to be inspected or serviced and is compliant in the country you live and use the Product in, please use the Horizon Online Service Request submission process found on our website or call Horizon to obtain a Return Merchandise Authorization (RMA) number. Pack the Product securely using a shipping carton. Please note that original boxes may be included, but are not designed to withstand the rigors of shipping without additional protection. Ship via a carrier that provides tracking and insurance for lost or damaged parcels, as Horizon is not responsible for merchandise until it arrives and is accepted at our facility. An Online Service Request is available at http://www.horizonhobby.com/content/service-center_render-service-center. If you do not have internet access, please contact Horizon Product Support to obtain a RMA number along with instructions for submitting your product for service. When calling Horizon, you will be asked to provide your complete name, street address, email address and phone number where you can be reached during business hours. When sending product into Horizon, please include your RMA number, a list of the included items, and a brief summary of the problem. A copy of your original sales receipt must be included for warranty consideration. Be sure your name, address, and RMA number are clearly written on the outside of the shipping carton.

Notice: Do not ship LiPo batteries to Horizon. If you have any issue with a LiPo battery, please contact the appropriate Horizon Product Support office.

Warranty Requirements - For Warranty consideration, you must include your original sales receipt verifying the proof-of-purchase date. Provided warranty conditions have been met, your Product will be serviced or replaced free of charge. Service or replacement decisions are at the sole discretion of Horizon.

Non-Warranty Service - Should your service not be covered by warranty, service will be completed and payment will be required without notification or estimate of the expense unless the expense exceeds 50% of the retail purchase cost. By submitting the item for service you are agreeing to payment of the service without notification. Service estimates are available upon request. You must include this request with your item submitted for service. Non-warranty service estimates will be billed a minimum of ½ hour of labor. In addition you will be billed for return freight. Horizon accepts money orders and cashiers checks, as well as Visa, MasterCard, American Express, and Discover cards. By submitting any item to Horizon for service, you are agreeing to Horizons Terms and Conditions found on our website http://www.horizonhobby.com/content/service-center_render-service-center.

ATTENTION: The sale, warranty and service of Zenoah products distributed by Horizon is limited to the geographic region of North America. Zenoah products distributed by Horizon cannot be purchased in other regions and may not be compliant with applicable regulations. If non-compliant product is received by Horizon for service, it will not be serviced. Further, the sender will be responsible for arranging return shipment of the un-serviced Product, through a carrier of the sender's choice and at the sender's expense. Horizon will hold non-compliant Product for a period of 60 days from notification, after which it will be discarded.

Warranty and Service Contact Information

Country of Purchase	Horizon Hobby	Contact Information	Address
United States of America	Horizon Service Center (Repairs and Repair Requests)	servicecenter.horizonhobby.com/RequestForm/	2904 Research Road Champaign, Illinois, 61822 USA
	Horizon Product Support (Product Technical Assistance)	productsupport@horizonhobby.com	
		877-504-0233	
	Sales	websales@horizonhobby.com	
		800-338-4639	

Consumer Warranty and Repair Policy

Zenoah engines are guaranteed against workmanship and manufacturing defects for a period of 3 years from the original date of purchase. This warranty is limited to the original purchaser of the engine and is not transferable. Warranty repairs will not cover:

- Normal engine wear
- Damage due to insufficient maintenance
- Damage related to over-revving of engine due to small prop size or unreasonable use
- Rusted bearings
- Crash damage
- Damage due to use of improper fuel and/or glow plug
- Damage due to lean runs, such as rusted bearings, seized connecting rod or piston, etc.
- Damage caused by foreign objects (dirt or broken glow plug filaments)
- Damage caused by unreasonable mountings or running conditions (dust, insufficient cooling, improper mounting, improper propeller size, or lack of balancing, etc.)
- Damage due to improper disassembly
- Modifications of any kind
- Repair or replacement and any warranty coverage is Horizon's sole decision

----- Please cut on the dotted line -----

Registration Form

Fill in and mail this form along with your dated sales receipt (send a copy, keep the original for your files) within 10 days of purchase to:

Horizon Service Center
Attn: Zenoah Warranty Dept.
2904 Research Road
Champaign, IL 61822

Engine Type: _____

Date of Purchase: _____

Owner's Name: _____

Street Address: _____

City/State/Zip: _____

Phone Number: _____

Purchased From: _____

Dealer's Name: _____

Street Address: _____

City/State/Zip: _____

© 2019 Horizon Hobby, LLC.

Evolution and Hangar 9 are registered trademarks of Horizon Hobby, LLC.

The Zenoah logo is a registered trademark of Husqvarna Zenoah Co. Ltd. Corporation and is used with permission.

All other trademarks, service marks and logos are property of their respective owners.

Revised 01/2019

ZZPZ200

ZEN6135.7